

D6T

Track-Type Tractor



Engine

Engine Model	Cat® C9.3 ACERT™	
Emissions	U.S. EPA Tier 4 Final	
Engine Power (Maximum)		
SAE J1995	192 kW	257 hp
ISO 14396	190 kW	255 hp
ISO 14396 (DIN)		258 hp

Engine (continued)

Net Power (Rated)			
ISO 9249/SAE J1349	154 kW		207 hp
ISO 9249/SAE J1349 (DIN)			210 hp
Net Power (Maximum)			
ISO 9249/SAE J1349	180 kW		241 hp
ISO 9249/SAE J1349 (DIN)			244 hp

D6T Features

Versatility

The Cat D6T dozer leads the way in versatility. Choose from XW, XL or LGP configurations, then outfit the machine for the type of work you do from a wide range of blade, undercarriage, track and rear implement choices.

Easy to Operate

The latest D6T model gives you added creature comforts like a quieter cab, easy closing cab doors and a heated/ventilated seat option. Features like Enhanced Auto Shift, Stable Blade Control and Selectable Electro-hydraulic maps help improve your overall efficiency and productivity.

Cat Connect Technologies

Standard Cat Slope Indicate and Cat Stable Blade help you get jobs done faster and more accurately. Optional GRADE technologies, like Cat Grade Control 3D and Cat AccuGrade™, allow you to choose features that match your job site needs for scalability, capability and budget.

Efficient

Improved fuel economy over Tier 4 Interim and efficient use of Diesel Exhaust Fluid (DEF) gives you excellent overall fluid efficiency.

Contents

Power and Performance.....	4
Operator Environment.....	6
Emissions Technology.....	7
Integrated Technologies.....	8
Equipped for the Job.....	10
Safety.....	11
Sustainability.....	11
Serviceability and Customer Support.....	12
Special Arrangements.....	14
Specifications.....	15
Standard Equipment.....	21
Optional Equipment.....	22





The Cat D6T dozer has earned a global reputation for outstanding versatility. The D6T has the pushing power you want for heavy dozing applications and the fine control you need for finish grading – all in one easy-to-transport machine. A choice of configurations, undercarriage and track, rear implements and blades give you multiple options to put together a machine ideally suited to the work you do day after day. Industry leading resale value helps you get the most from your equipment investment. The D6T meets U.S. EPA Tier 4 Final emission standards.



A Cat C9.3 ACERT engine gives you the power and reliability you need to get the job done. Improved fuel economy over Tier 4 Interim and efficient use of Diesel Exhaust Fluid (DEF) gives you excellent overall fluid efficiency.

Differential Steering

Differential Steering maintains full power to both tracks for best-in-class turning, even with a full blade load. When one track speeds up, the other slows down an equal amount, so you have better maneuverability and faster cycle times. You also get better load capacity, power and speed control in soft conditions because both tracks are powered during turns.

Load Sensing Hydraulics

Field-proven system senses the load and continuously adjusts hydraulic power to your blade to maximize efficiency.

Torque Divider

A single stage torque divider sends 70 percent of engine torque through a converter and the other 30 percent through a direct drive shaft so you get more power to the ground, more efficiently.

Cooling System

The radiator, air-to-air aftercooler and hydraulic oil cooler are packaged in a single plane, making cleanout easier. Durable, aluminum bar plate construction gives you superior heat transfer and corrosion resistance. Six fins per inch on the standard core allow debris to pass through and help reduce plugging. A standard perforated grill helps protect the cooling system.

In cooler conditions, the hydraulic demand fan reduces speed to conserve power, save fuel and decrease sound levels. An optional reversing fan is available for high debris conditions.



Power and Performance

Built to get the job done



Enhanced Auto Shift

Standard Enhanced Auto Shift helps you save fuel by automatically upshifting/downshifting to maintain the most efficient gear based on load. Three different modes (3-, 6-, 9-speed), plus additional fine ground speed adjustment, allow you to optimize tractor performance to match material and job site conditions.

Selectable Electro-Hydraulic Maps

Selectable Electro-Hydraulic Maps set the implement response levels – fine, medium, coarse – to match operator preferences and tailor the machine to individual applications.



Operator Environment

Comfort and productivity



The latest D6T offers operators added comforts like a quieter cab, easy closing cab doors, a heated/ventilated seat option, manually adjustable armrests and a cup holder with auxiliary power port.

New cab (ROPS) mounted air conditioning gives you more cooling capability, and removes the condenser from under the hood so it is easier to service.

The in-dash display monitors machine conditions in real time. The panel is glare-resistant and illuminated for low-light visibility.

Implement and Steering Controls

- A single ergonomic handle with a thumb roller controls direction, turning, forward/reverse shifting and gear selection. Tiller style control helps you work precisely in tight spaces.
- Electro-hydraulic controls are standard on the D6T. Low effort controls give you precise control of the blade and rear attachments, as well as easy 6-way control of a VPAT blade.
- A variable throttle control dial lets you use preset engine speeds, customize engine speeds for operator preference or utilize Auto Shift modes.
- Bi-directional shift allows you to automatically select the desired forward/reverse gears and forward/reverse speeds when Enhanced Auto Shift is activated.
- Implement Lock-Out prevents inadvertent operation of hydraulic attachments.



Emissions Technology

Proven, integrated solutions

Emissions reduction technology on the D6T is designed to be transparent, with no action required from the operator. Regeneration runs automatically in the background while you work.

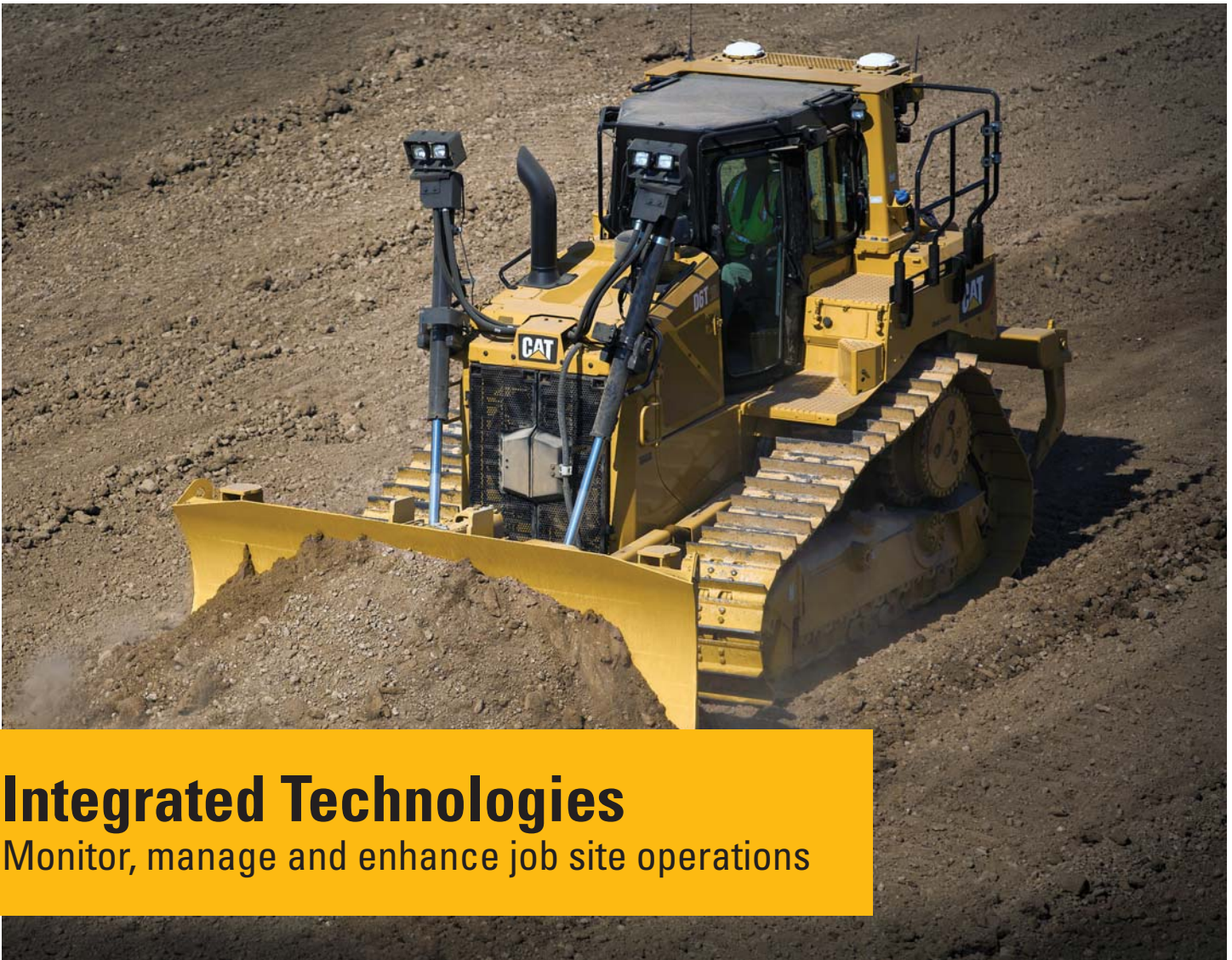
Aftertreatment Technologies

Caterpillar designed Tier 4 Interim products with Tier 4 Final standards in mind. To meet the additional 80 percent reduction in NO_x emissions required at Tier 4 Final, Caterpillar engineers added Selective Catalytic Reduction (SCR) to the already proven aftertreatment solution.

Diesel Exhaust Fluid

Selective Catalytic Reduction utilizes Diesel Exhaust Fluid (DEF), which can be conveniently refilled when you refuel. A gauge on the dash shows your fluid level. When the machine is turned off, a pump will automatically purge the DEF lines to help prevent the fluid from freezing in the lines and pump. A symbol on the dash and a light/symbol on the Ground Level Service Center indicate when the purge is complete and that it is safe to turn off the electrical disconnect.

If the engine/aftertreatment temperatures are high, a Delayed Engine Shutdown will activate automatically to cool the machine and then purge the lines. For complete aftertreatment information, please refer to your machine's Operation and Maintenance Manual.





Integrated Technologies


Monitor, manage and enhance job site operations

Cat Connect makes smart use of technology and services to improve your job site efficiency. Using the data from technology equipped machines, you'll get more information and insight into your equipment and operations than ever before.

Cat Connect technologies offer improvements in these key areas:

**Equipment Management** – increase uptime and reduce operating costs.

**Productivity** – monitor production and manage job site efficiency.

**Safety** – enhance job site awareness to keep your people and equipment safe.

LINK Technologies

LINK technologies provide wireless capability to machines enabling two-way transfer of information collected by on-board sensors, control modules, and other Cat Connect technologies using off-board apps, such as our VisionLink® software.

Product Link™/VisionLink

Product Link takes the guesswork out of equipment management. Track location, hours, fuel usage, productivity, idle time, and diagnostic codes through the online VisionLink interface. Manage your fleet in real time so you can maximize efficiency, improve productivity, and lower operating costs.



GRADE Technologies

Cat Connect GRADE technologies help you hit target grade faster and more accurately. Finish jobs in fewer passes, and with less operator effort, saving you time and helping you increase profit.

Cat Slope Indicate

Cat Slope Indicate (S) displays machine cross-slope and fore/aft orientation on the primary monitor, helping operators work more accurately on slopes.

Cat Stable Blade

Cat Stable Blade (S) complements the operator's blade-control input for attaining finish grades quicker with less effort.

Cat Grade Control 3D

Cat Grade Control 3D (O) is a factory integrated grade-control system that enables operators to improve grading efficiency, accuracy, and productivity in both production dozing and fine-grading applications. The integrated design positions antennas on the cab roof, eliminating conventional blade-mounted masts and related cables. The AccuGrade Ready Option (ARO) is part of the package for added versatility, and AutoCarry™ is included to further boost productivity.



Cat AccuGrade

Cat AccuGrade (O) is a dealer-installed aftermarket grade-control system that provides increased grading versatility and the ability to scale capacity to changing needs, providing a choice of lasers for 2D flat-plane and slope work, Global Navigation Satellite System (GNSS) control for complex 3D cuts and contours, and/or systems using a Universal Total Station (UTS) for fine and finish grading.

Cat AccuGrade Ready Option

Cat AccuGrade Ready Option (ARO) (O) allows you to easily install or upgrade to Cat AccuGrade 2D and 3D grade-control systems to add versatility and resale value to your machine.

(S) = Standard

(O) = Optional



Equipped for the Job

Optimize your machine

Your choice of undercarriage, track shoes, blades and rear implements help you outfit your machine for optimum performance and service life. L-shaped push arms give you an advantage over diagonal brace designs by bringing the blade closer to the machine. This gives you better balance, maneuverability and blade penetration. The design also gives you lateral stability and better cylinder positions for constant pryout capability regardless of blade height.

Undercarriage

The D6T features the Caterpillar elevated sprocket design that helps protect major components from harsh impacts and provides a modular design that is convenient to service. Choose Heavy Duty undercarriage for aggressive applications like land clearing, side-slopes or rocky terrain. Or, choose SystemOne™ undercarriage that is designed to work and wear as a system for longer life and lower costs in many applications. A broad choice of track shoe designs and widths help you further optimize your machine for performance and longer life.

Blades

Semi-Universal, Straight and Angle blades are designed with a strong box section to stand up to the most severe applications. Heavy moldboard construction, hardened bolt-on cutting edges and end bits add strength and durability. The Variable Pitch Angle Tilt (VPAT) blade allows you to hydraulically adjust lift, angle and tilt for precise results. The VPAT blade is wider to take on a variety of applications so you can use your D6T for spreading material, finish grading, side casting, V-ditching and backfilling. The VPAT blade can also be angled for easy shipping.

Rear Implements

To help you match your D6T to the task at hand, you can outfit your D6T with a multi-shank ripper, winch, drawbar or rear counterweight.

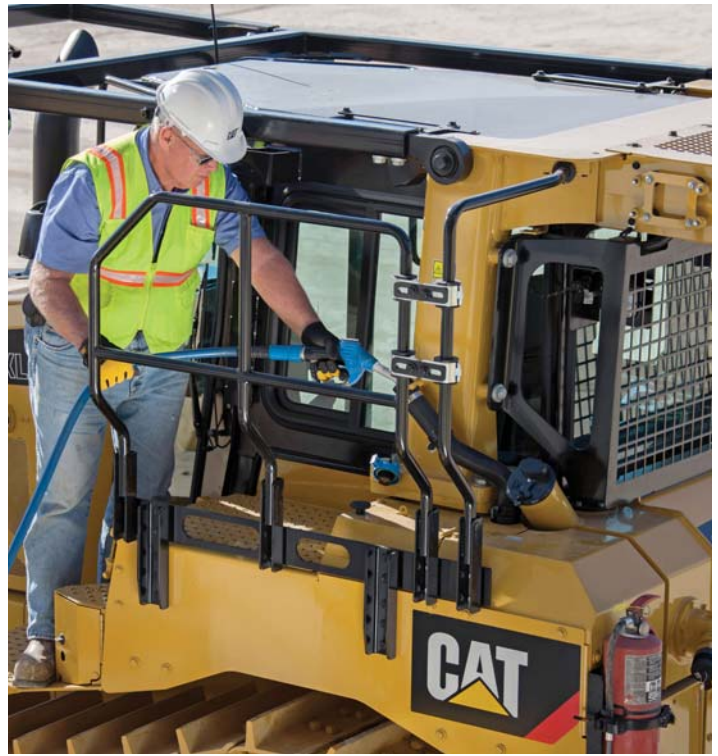
Ask your Cat dealer for available options to help you optimize your machine for the work you do.



Safety

Designed with protection in mind

- Redesigned guard rail enhances safety when fueling, filling Diesel Exhaust Fluid or cleaning rear windows.
- Convenient steps and handles help you get on and off the tractor with greater ease. The optional premium lighting package adds access lighting with a ground level switch.
- Well appointed cabs with good visibility help operators stay focused and aware.
- A standard Operator Presence detection system allows the machine to idle when the operator is not seated, but locks out the power train and front implements to avoid unintentional movement.
- A rear vision camera is available to enhance visibility behind the machine.
- Easy open engine enclosure doors allow you to maintain three points of contact for added safety.



Sustainability

Built for the next generation



- The D6T meets Tier 4 Final emission standards. Improved fuel economy over Tier 4 Interim and efficient use of Diesel Exhaust Fluid (DEF) gives you excellent overall fluid efficiency.
- Features like Enhanced Auto Shift and a hydraulic demand fan help you save even more fuel, as well as wear and tear on equipment. Technologies like Cat Grade Control 3D and Product Link contribute even more to helping you save on fuel costs.
- Major components are built to be rebuilt, eliminating waste and saving you money by giving your dozer a second – and even third – life.

Serviceability and Customer Support

When uptime counts



Ease of Service

Like all Cat machines, the D6T is designed to help you get routine service done quickly and efficiently so you can get to work. New, larger engine compartment doors and a lower panel that can be removed without tools gives you easy access to internal components and routine service points. Heavy-duty hinged radiator grill doors have a bolt-on design so you can get to the fan and front side of the cooling package. An optional high speed oil change attachment can make servicing even faster.

The Ground Level Service Center gives you quick, easy access to the hour meter, battery disconnect, secondary engine shutdown, DEF purge indicator and optional lighting switches.



Cat EMSolutions (Equipment Management Solutions)

EMSolutions lets you take control of your fleet with a solution specific to your equipment management needs. Comprehensive, technology-enabled equipment management – combined with the knowledge and expertise of your Cat dealer – can provide ways to help you achieve gains that go straight to your bottom line.

- Improve availability
- Reduce owning and operating costs
- Streamline maintenance practices
- Maximize equipment life
- Increase resale value

Consisting of five levels of support, from remote access to equipment data to complete, proactive management of your fleet, EMSolutions allows you to choose the amount of support that's right for you.



Renowned Cat Dealer Support

Knowledgeable Cat dealers have a global reputation for providing outstanding sales and service. Maximize your equipment investment with a Customer Support Agreement tailored to meet your business needs. Take advantage of preventive maintenance programs like Custom Track Service, Scheduled Oil Sampling (S-O-SSM) analysis, and guaranteed maintenance contracts. Cat dealers can even help you with operator training to help boost your profits.

When you need repairs, Cat dealers and our unmatched Caterpillar distribution network excel at getting you the right parts you need quickly.

You Cat dealer can also help you maximize your equipment investment with services like Cat Reman parts and Cat Certified Rebuilds. Remanufactured parts offer you the same warranty and reliability as new parts at a fraction of the cost. A Certified Rebuild gives a “second life” for your machine, incorporating the latest engineering updates so you end up with a like-new track loader and a new machine warranty. Caterpillar strives to provide customers the lowest owning and operating costs over the life of their machine.

Special Arrangements

Purpose-built for performance



D6T WH Waste Handler

Whether building or closing cells, pushing trash or spreading cover, the D6T WH is designed and built from the frame up to take on the unique challenges of landfill work.

- Specialized guarding, striker bars and seals help protect the machine from impact and airborne debris.
- Bottom and Final Drive guarding help prevent debris from wrapping around or damaging vital components.
- The cooling system is designed for high debris environments, with easy access for cleanout.
- Lights are mounted up and away from main debris area for protection, while still giving you plenty of light on the work area.
- Specialized air handling features help deliver cleaner air to the machine and to the cab.
- Landfill blades and center-hole track shoes help you optimize your waste handler for the job.

D6T Forestry Arrangement

Put the power and ruggedness of the D6T to work in land clearing or forestry applications.

- Optional Sweeps help protect the cab, top and sides of the machine.
- Screens give added impact protection to cab windows.
- Additional guarding helps protect the underside of the machine from stumps and other heavy debris.
- The cooling system is designed for high debris environments, with easy access for cleanout.

D6T Track-Type Tractor Specifications

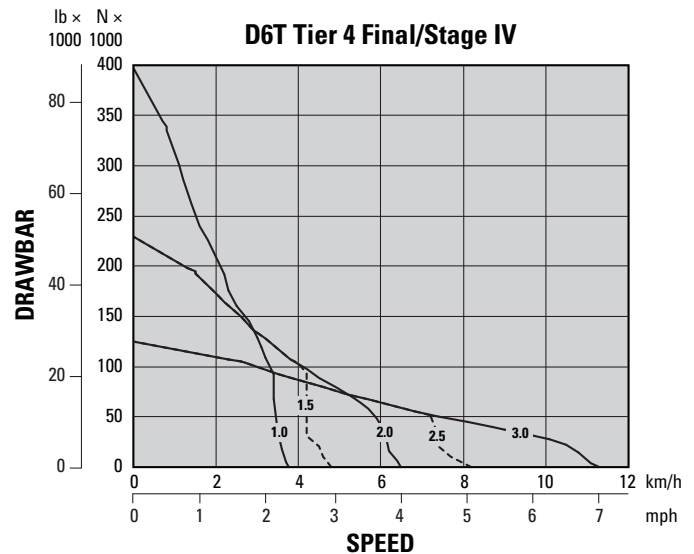
Engine

Engine Model	Cat C9.3 ACERT	
Emissions	U.S. EPA Tier 4 Final	
Engine Power (Maximum)		
SAE J1995	192 kW	257 hp
ISO 14396	190 kW	255 hp
ISO 14396 (DIN)	258 hp	
Net Power (Rated)		
ISO 9249/SAE J1349	154 kW	207 hp
ISO 9249/SAE J1349 (DIN)	210 hp	
Net Power (Maximum)		
ISO 9249/SAE J1349	180 kW	241 hp
ISO 9249/SAE J1349 (DIN)	244 hp	
Bore	115 mm	4.5 in
Stroke	149 mm	5.9 in
Displacement	9.3 L	567 in ³

- Rated power occurs at 2,000 rpm.
- Maximum power occurs at 1,600 rpm.
- Net power advertised is the power available at the engine flywheel when the engine is equipped with a fan at maximum speed, air cleaner, muffler and alternator.
- No deratings required up to 2286 m (7,500 ft) automatic derating occurs.
- All non road Tier 4, Stage IIIB and IV, Japan 2011 and 2014 (Tier 4 Interim and Tier 4 Final) and Korea Tier 4 diesel engines are required to use only Ultra Low Sulfur Diesel (ULSD) fuels containing 15 ppm (mg/kg) sulfur or less. Biodiesel blends up to B20 (20% blend by volume) are acceptable when blended with 15 ppm (mg/kg) sulfur or less ULSD. B20 should meet ASTM D7467 specification (biodiesel blend stock should meet Cat biodiesel spec, ASTM D6751 or EN 14214). Cat DEO-ULS™ or oils that meet the Cat ECF-3, API CJ-4, and ACEA E9 specification are required. Consult your OMM for further machine specific fuel recommendations.
- Diesel Exhaust Fluid (DEF) used in Cat Selective Catalytic Reduction (SCR) systems must meet the requirements outlined in the International Organization for Standardization (ISO) standard 22241.

Transmission

0.5 Forward	2.7 km/h	1.7 mph
0.7 Forward	3.3 km/h	2.1 mph
1.0 Forward	3.7 km/h	2.3 mph
1.5 Forward	4.7 km/h	3.0 mph
1.7 Forward	5.8 km/h	3.6 mph
2.0 Forward	6.5 km/h	4.1 mph
2.5 Forward	8.2 km/h	5.1 mph
2.7 Forward	10.0 km/h	6.2 mph
3.0 Forward	11.3 km/h	7.0 mph
0.5 Reverse	3.5 km/h	2.2 mph
0.7 Reverse	4.2 km/h	2.6 mph
1.0 Reverse	4.8 km/h	3.0 mph
1.5 Reverse	6.1 km/h	3.8 mph
1.7 Reverse	7.4 km/h	4.6 mph
2.0 Reverse	8.3 km/h	5.2 mph
2.5 Reverse	10.5 km/h	6.5 mph
2.7 Reverse	12.7 km/h	7.9 mph
3.0 Reverse	14.4 km/h	9.0 mph
Drawbar Pull		
0.5-1.0 Forward	382 kN	86,000 lbf
1.5-2.0 Forward	221 kN	49,800 lbf
2.5-3.0 Forward	119 kN	26,800 lbf
2.5-3.0 Forward	119 kN	26,800 lbf



D6T Track-Type Tractor Specifications

Service Refill Capacities

Fuel Tank	411 L	108.7 gal
DEF Tank	17.1 L	4.5 gal
Cooling System	51 L	13.4 gal
Engine Crankcase	24.6 L	6.5 gal
Power Train	148.0 L	39.1 gal
Final Drives (each)	13.5 L	3.6 gal
Roller Frames (each)	25.0 L	6.6 gal
Pivot Shaft Compartment	5.0 L	1.3 gal
Hydraulic Tank	65.5 L	17.3 gal

Hydraulic Controls – Pressures

Maximum Operating Pressures		
Non-VPAT	19 300 kPa	2,800 psi
VPAT	21 550 kPa	3,125 psi
Steering	40 000 kPa	5,800 psi
Relief Pressures		
Non-VPAT	21 700 kPa	3,150 psi
VPAT	24 400 kPa	3,540 psi

Hydraulic Controls – Pump

Pump Output		
Fan	93 L/min	25 gal/min
Implement	205 L/min	54 gal/min
Steering	195 L/min	52 gal/min
Lift Cylinder Flow	205 L/min	54 gal/min
Tilt Cylinder Flow	110 L/min	29 gal/min
Ripper Cylinder Flow	205 L/min	54 gal/min
Angle Cylinder Flow – VPAT	190 L/min	50 gal/min

Ripper

Type	Fixed Parallelogram	
Ramp Angle	26 degrees	
Pocket Spacing	1000 mm	39.4 in
Shank Gauge	2000 mm	78.8 in
Shank Section	74 mm × 175 mm	2.9 in × 6.9 in
Number of Pockets	3	
Overall Beam Width	2202 mm	87 in
Beam Cross Section	219 mm × 304 mm	8.8 in × 12 in
Maximum Clearance Raised (under tip)	514 mm	20.2 in
Maximum Penetration	457 mm	18.0 in
Maximum Penetration Force	65.6 kN	14,747 lb
Pryout Force	116.5 kN	26,190 lb
Weight		
With One Shank	1498 kg	3,302 lb
Each Additional Shank	73 kg	161 lb

Weights

Operating Weight		
XL A	21 306 kg	46,791 lb
XL SU	20 985 kg	46,263 lb
XL VPAT	23 663 kg	52,167 lb
XW A	22 191 kg	48,922 lb
XW SU	21 788 kg	48,034 lb
XW VPAT	24 118 kg	53,170 lb
LGP S	22 902 kg	50,490 lb
LGP A	24 020 kg	52,954 lb
LGP VPAT	24 336 kg	53,651 lb
Shipping Weight		
XL A/SU	17 753 kg	39,138 lb
XL VPAT	21 394 kg	47,165 lb
XW A/SU	18 414 kg	40,596 lb
XW VPAT	20 793 kg	45,840 lb
LGP S/A	19 806 kg	43,664 lb
LGP VPAT	22 009 kg	48,521 lb

- Operating weight includes blade, lubricants, coolant, full fuel tank, standard track, ROPS/FOPS cab, drawbar and operator.
- Shipping weight includes blade lift cylinders (C-frame for VPAT), lubricants, coolant, ROPS/FOPS cab, standard track and 10% fuel.

D6T Track-Type Tractor Specifications

Blades

	6 SU – XL		6A – XL		6 VPAT – XL	
Capacity	5.55 m ³	7.26 yd ³	3.95 m ³	5.17 yd ³	4.64 m ³	6.07 yd ³
Width	3260 mm	10.7 ft	4160 mm	13.7 ft	3880 mm	12.8 ft
Height	1407 mm	4.6 ft	1151 mm	3.8 ft	1294 mm	4.2 ft
Digging Depth	501 mm	19.7 in	555 mm	21.8 in	792 mm	31.2 in
Ground Clearance	1180 mm	46.5 in	1112 mm	43.8 in	1053 mm	41.5 in
Maximum Tilt	812 mm	32.0 in	424 mm	16.7 in	410 mm	16.1 in
Weight	1338.0 kg	2,949.8 lb	1194.6 kg	2,633.6 lb	1669.5 kg	3,680.6 lb

	6 SU – XW		6A – XW		6 VPAT – XW	
Capacity	5.64 m ³	7.38 yd ³	4.35 m ³	5.69 yd ³	5.02 m ³	6.57 yd ³
Width	3560 mm	11.7 ft	4520 mm	14.8 ft	4160 mm	13.7 ft
Height	1407 mm	4.6 ft	1153 mm	3.8 ft	1294 mm	4.2 ft
Digging Depth	502 mm	19.7 in	541 mm	21.3 in	743 mm	29.3 in
Ground Clearance	1180 mm	46.5 in	1139 mm	44.8 in	1102 mm	43.4 in
Maximum Tilt	791 mm	31.2 in	424 mm	16.7 in	442 mm	17.4 in
Weight	1415.4 kg	3,120.4 lb	1299.6 kg	2,865.2 lb	1763.8 kg	3,888.4 lb

	6S LGP		6A – LGP		6 VPAT – LGP	
Capacity	3.79 m ³	4.96 yd ³	4.94 m ³	6.46 yd ³	5.02 m ³	6.57 yd ³
Width	4063 mm	13.3 ft	5070 mm	16.7 ft	4160 mm	13.7 ft
Height	1108 mm	3.6 ft	1150 mm	3.8 ft	1294 mm	4.2 ft
Digging Depth	590 mm	23.2 in	853 mm	33.6 in	743 mm	29.3 in
Ground Clearance	1094 mm	43.1 in	1004 mm	39.5 in	1102 mm	43.4 in
Maximum Tilt	735 mm	28.9 in	618 mm	24.3 in	442 mm	17.4 in
Weight	1189.7 kg	2,622.2 lb	1456.5 kg	3,211.0 lb	1763.8 kg	3,888.4 lb

D6T Track-Type Tractor Specifications

Winch

Winch Model	PA56	
Winch Drive	Mechanical	
Control	Mechanical	
Weight	1203 kg	2,652 lb
Oil Capacity	67 L	17.8 gal
Increased Tractor Length		
XL/XW	516 mm	20.4 in
LGP	365 mm	14.4 in
Drum Diameter	254 mm	10.0 in
Rope Diameter		
Recommended	22 mm	0.88 in
Optional	25 mm	1.00 in
Drum Capacity		
22 mm (0.88 in)	88 m	288.7 ft
25 mm (1.0 in)	67 m	219.8 ft
Cable Ferrule Size (O.D. × Length)	54 mm × 67 mm	2.1 in × 2.6 in
Maximum Bare Drum		
Line Pull*	40 700 kg	89,800 lb
Line Speed	39.6 m/min	130 ft/min
Maximum Full Drum		
Line Pull*	34 600 kg	76,300 lb
Line Speed	68.3 m/min	224 ft/min

* Maximum line pull is lesser of calculated line pull at maximum tractor PTO output torque or catalog breaking strength of maximum optional size new IWRC IPS wire rope.

Drive Train

Type	Mechanical
------	------------

Standards

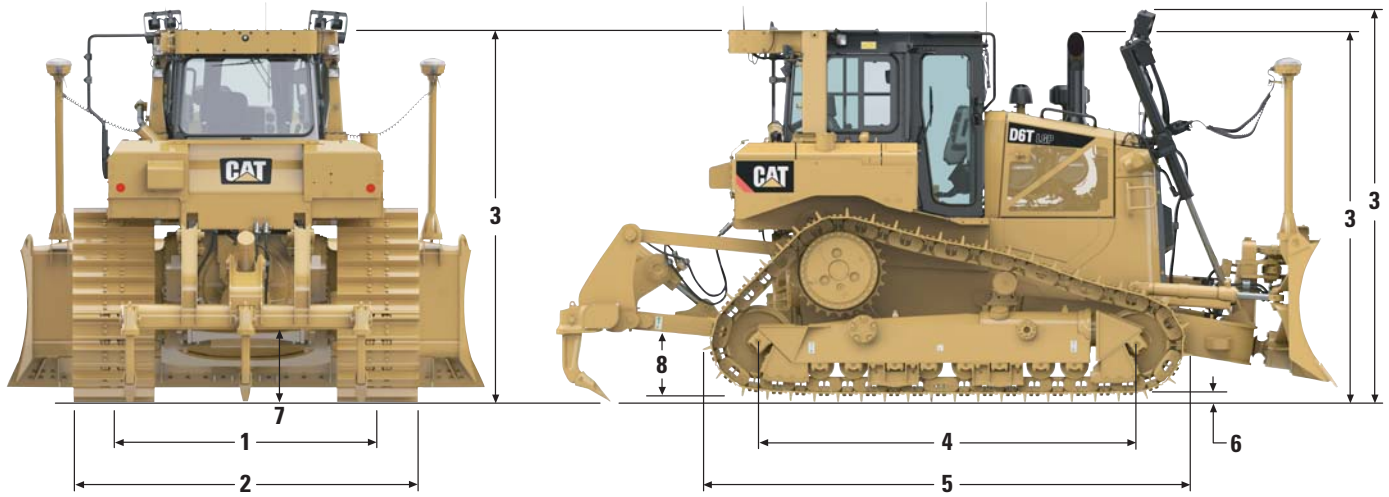
ROPS/FOPS	ROPS meets ISO 3471:2008, FOPS meets ISO 3449:2005 Level II
Brakes	Brakes meet the International Standard ISO 10265:2008
Cab	Meets appropriate standards as listed below

- The declared dynamic operator sound pressure level is 76 dB(A) when “ISO 6396:2008” is used to measure the value for an enclosed cab. The measurement was conducted at 70% of the maximum engine cooling fan speed. The sound level may vary at different engine cooling fan speeds. The cab was properly installed and maintained. The measurement was conducted with the cab doors and the cab windows closed. The cab was properly installed and maintained.
- **Sound Level Information for Machines in European Union Countries and in Countries that Adopt the “European Union Directives”** – The information below applies to only the machine configurations that have the “CE” mark on the Product Identification Plate.
- The declared dynamic operator sound pressure level is 75 dB(A) when “ISO 6396:2008” is used to measure the value for an enclosed cab. The measurement was conducted at 70% of the maximum engine cooling fan speed. The sound level may vary at different engine cooling fan speeds. The cab was properly installed and maintained. The measurement was conducted with the cab doors and the cab windows closed. The cab was properly installed and maintained.
- Hearing protection is recommended when operating with an open operator station and cab (when not properly maintained or doors/windows open) for extended periods or in noisy environment.
- The declared exterior sound power level is 111 dB(A) when the value is measured according to the dynamic test procedures and the conditions that are specified in “ISO 6395:2008.” The measurement was conducted at 70% of the maximum engine cooling fan speed. The sound level may vary at different engine cooling fan speeds.

D6T Track-Type Tractor Specifications

Dimensions

All dimensions are approximate.



	XL		XW		LGP	
1 Track gauge	1880 mm	6 ft 2 in	2032 mm	6 ft 8 in	2286 mm	7 ft 6 in
2 Width of tractor over trunnions	2690 mm	8 ft 10 in	2944 mm	9 ft 8 in	3480 mm	11 ft 5 in
Width of tractor without trunnions (standard track)	2590 mm	8 ft 6 in	2792 mm	9 ft 2 in	3201 mm	10 ft 6 in
3 Machine height** from tip of grouser:						
ROPS	3185 mm	10 ft 5 in	3185 mm	10 ft 5 in	3235 mm	10 ft 7 in
Premium Light Package	3341 mm	11 ft 0 in	3341 mm	11 ft 0 in	3097 mm	11 ft 1 in
Height to top of Sweeps (not shown)	3199 mm	10 ft 6 in	3199 mm	10 ft 6 in	3249 mm	10 ft 8 in
4 Length of track on ground	2860 mm	9 ft 5 in	2860 mm	9 ft 5 in	3270 mm	10 ft 9 in
5 Length of basic tractor	4250 mm	13 ft 9 in	4250 mm	13 ft 9 in	4546 mm	14 ft 11 in
With following attachments add:						
Drawbar	218 mm	9 in	218 mm	9 in	229 mm	9 in
Ripper Multi-shank (tip at ground line)	1395 mm	4 ft 7 in	1395 mm	4 ft 7 in	1259 mm	4 ft 2 in
Winch	570 mm	22 in	570 mm	22 in	435 mm	17 in
S Blade	—	—	—	—	947 mm	3 ft 1 in
SU Blade	1068 mm	3 ft 6 in	1068 mm	3 ft 6 in	—	—
A Blade	1007 mm	3 ft 4 in	1068 mm	3 ft 6 in	1305 mm	4 ft 4 in
A Blade angled approximately 25° for transport	837 mm	33 in	889 mm	35 in	989 mm	38.9 in
6 Height of grouser	65 mm	2.6 in	65 mm	2.6 in	65 mm	2.6 in
7 Ground clearance	372 mm	15 in	372 mm	15 in	406 mm	16 in
Oscillation at front idler	141 mm	5.5 in	137 mm	5.4 in	163 mm	6.4 in
Track pitch	203 mm	8 in	203 mm	8 in	203 mm	8 in
Number of shoes per side	41		41		45	
Track rollers/carrier rollers per side	7/1		7/1		8/1	
Standard shoe width (moderate service)	560 mm	22 in	760 mm	30 in	915 mm	36 in
Ground contact area (standard track)*	3.54 m ²	5,489 in ²	4.81 m ²	7,449 in ²	6.53 m ²	10,122 in ²
Ground pressure*	58.1 kPa	8.4 psi	44.5 kPa	6.4 psi	34.4 kPa	4.99 psi
8 Drawbar height	576 mm	23 in	576 mm	23 in	626 mm	25 in
From ground face of shoe	511 mm	20 in	511 mm	20 in	561 mm	22 in

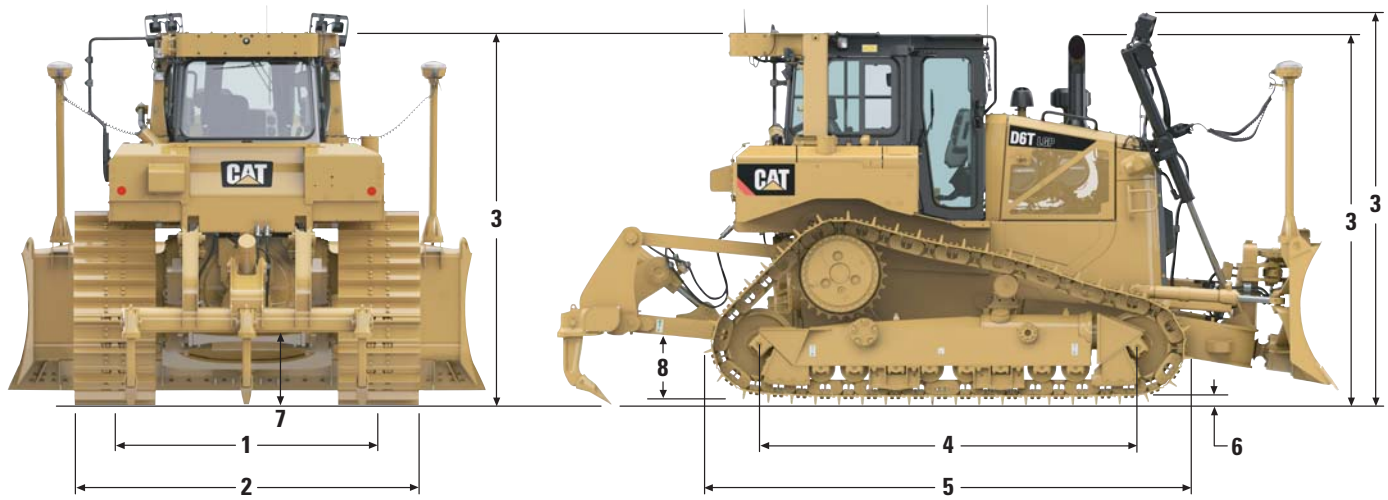
*All dimensions above with SystemOne undercarriage. XL and XW with SU blade, LGP with S blade with no rear attachments unless otherwise specified and calculated per ISO 16754.

**When Cat Grade Control 3D antennas are installed, overall machine height increases by approximately 82 mm/3.2 in.

D6T Track-Type Tractor Specifications

Dimensions

All dimensions are approximate.



	XL VPAT		XW VPAT		LGP VPAT	
1 Track gauge	2134 mm	7 ft 0 in	2286 mm	7 ft 6 in	2286 mm	7 ft 6 in
2 Width of tractor over trunnions	—	—	—	—	—	—
Width of tractor without trunnions (standard track)	2717 mm	8 ft 11 in	2996 mm	9 ft 10 in	3143 mm	10 ft 4 in
3 Machine height** from tip of grouser:						
ROPS	3185 mm	10 ft 5 in	3235 mm	10 ft 7 in	3235 mm	10 ft 7 in
Premium Light Package	3308 mm	10 ft 10 in	3358 mm	11 ft 1 in	3358 mm	11 ft 1 in
Height to top of Sweeps (not shown)	3199 mm	10 ft 6 in	3249 mm	10 ft 8 in	3249 mm	10 ft 8 in
4 Length of track on ground	2860 mm	9 ft 5 in	3270 mm	10 ft 9 in	3270 mm	10 ft 9 in
5 Length of basic tractor	4950 mm	16 ft 3 in	5086 mm	16 ft 8 in	5086 mm	16 ft 8 in
With following attachments add:						
Drawbar	218 mm	9 in	229 mm	9 in	229 mm	9 in
Ripper Multi-shank (tip at ground line)	1395 mm	4 ft 7 in	1259 mm	4 ft 2 in	1259 mm	4 ft 2 in
Winch	570 mm	22 in	435 mm	17 in	435 mm	17 in
S Blade	—	—	—	—	—	—
SU Blade	—	—	—	—	—	—
VPAT Blade	420 mm	1 ft 5 in	420 mm	1 ft 5 in	420 mm	1 ft 5 in
VPAT Blade angled approximately 25° for transport	670 mm	26.4 in	720 mm	28.3 in	720 mm	28.3 in
6 Height of grouser	65 mm	2.6 in	65 mm	2.6 in	65 mm	2.6 in
7 Ground clearance	372 mm	15 in	406 mm	16 in	406 mm	16 in
Oscillation at front idler	141 mm	5.5 in	163 mm	6.4 in	163 mm	6.4 in
Track pitch	203 mm	8 in	203 mm	8 in	203 mm	8 in
Number of shoes per side		41		45		45
Track rollers/carrier rollers per side		7/1		8/1		8/1
Standard shoe width (moderate service)	560 mm	22 in	710 mm	28 in	785 mm	31 in
Ground contact area (standard track)*	3.54 m ²	5,489 in ²	5.10 m ²	7,909 in ²	5.60 m ²	8,684 in ²
Ground pressure*	65.5 kPa	9.5 psi	46.4 kPa	6.7 psi	42.6 kPa	6.2 psi
8 Drawbar height	576 mm	23 in	626 mm	25 in	626 mm	25 in
From ground face of shoe	511 mm	20 in	561 mm	22 in	561 mm	22 in

*All dimensions above with SystemOne undercarriage. XL and XW with SU blade, LGP with S blade with no rear attachments unless otherwise specified and calculated per ISO 16754.

**When Cat Grade Control 3D antennas are installed, overall machine height increases by approximately 82 mm/3.2 in.

Standard Equipment

Standard equipment may vary. Consult your Cat dealer for details.

POWER TRAIN

- C9.3 ACERT diesel engine
- U.S. EPA Tier 4 Final emission standards
- Air cleaner, Strata tube precleaner with dust ejection
- Air filter with electronic service ind.
- Aftercooler – Air to Air (ATAAC)
- Coolant, extended life
- Enhanced Auto Shift (EAS)
- Drains, ecology, power train
- Fan, hydraulic, cold weather
- Final drives, single reduction planetary
- Fuel priming pump, electric
- Jacket water heater
- Parking brake, electronic
- Radiator, aluminum bar plate
- Radiator, HD guard
- Shift management
 - Automatic directional and downshift
 - Controlled throttle, load compensated
- Starting aid, ether, automatic
- Starter, heavy duty
- Torque divider
- Transmission, electronically controlled powershift
- Turbocharger, wastegate
- Water separator

UNDERCARRIAGE

- SystemOne Track Group
- Carrier rollers
- Clamp master link
- Equalizer bar
- Guards, end track guiding
- Idlers, center tread, lifetime lubricated
- Rollers, lifetime lubricated
- Track, lifetime lubricated
- Track roller frames, tubular
- Track adjusters, hydraulic
- Sprocket rim segments, replaceable

ELECTRICAL

- Alarm, backup
- Alternator, 150 amp
- Batteries, two maintenance free 12V (1,400 cca) (24V system), heavy duty
- Converter, two 10 amp 12V outlets
- Connector, diagnostic
- Electric start, 24V
- Horn, forward warning
- Hour meter, electronic

OPERATOR ENVIRONMENT

- A/C, ROPS mounted condenser
- Armrest, adjustable
- Cab, ROPS/FOPS, sound suppressed, pressurized
- Cupholders
- Decelerator and brake pedals
- Electro-hydraulics implement and steering controls
- Six gauge cluster (engine coolant temperature, power train oil, hydraulic oil temperature, fuel level, engine rpm display/gear display, DEF level)
- Foot pads, dash
- Glove box
- Heater
- Hour meter, electronic
- Mirror, rearview
- Power train control module
 - Throttle dial, electronic
 - Enhanced Auto Shift (EAS) control
 - Shift Management Dial
- Radio ready
- Seat, cloth, air-suspension
- Seat belt, retractable 76 mm (3 in)
- Wipers, two speed

OTHER STANDARD EQUIPMENT

- CD ROM parts book
- Engine enclosures, perforated
- Front pull device
- Guards, hinged bottom
- Ground level service center with remote electrical disconnect and secondary shutdown switch and hour meter
- Hood, perforated
- Hydraulics, independent steering and work tool and fan pumps
- Hydraulics, load sensing, dozer lift and tilt
- Mounting, lift cylinder
- Oil cooler, hydraulic
- Radiator doors, perforated, louvered, hinged
- S·O·S sampling ports
- Vandalism protection for fluid compartments and battery box

TECHNOLOGY

- Cat Slope Indicate
- Product Link
- Stable Blade Control

D6T Optional Equipment

Optional Equipment

Optional equipment may vary. Consult your Cat dealer for details.

POWER TRAIN

- Fan, auto reversing
- Oil change system, power train
- Fuel system, fast fill
- Precleaner with screen
- Thermal shield including insulated CEM

UNDERCARRIAGE

- XL machines
- XW machines
- LGP machines
- XL VPAT machines
- XW VPAT machines
- LGP VPAT machines
 - Sealed and Lubricated Heavy-Duty Track Group
- Track Pairs (XL Non-VPAT Roller Frame, 41 Section)
 - Moderate Service Shoes (SystemOne)
 - 560 mm (22 in)
 - 610 mm (24 in)
 - Moderate Service Shoes (Heavy Duty)
 - 560 mm (22 in)
 - 610 mm (24 in)
 - Extreme Service Shoes (SystemOne)
 - 560 mm (22 in)
 - 610 mm (24 in)
 - 610 mm (24 in) Clipped
 - 560 mm (22 in) Center Hole
 - 610 mm (24 in) Center Hole
 - Extreme Service Shoes (Heavy Duty)
 - 560 mm (22 in)
 - 610 mm (24 in)
 - 610 mm (24 in) Trapezoidal

- Track Pairs (XW Non-VPAT Roller Frame, 41 Section)
 - Moderate Service Shoes (SystemOne)
 - 610 mm (24 in)
 - 760 mm (30 in)
 - 710 mm (28 in)
 - Moderate Service Shoes (Heavy Duty)
 - 610 mm (24 in)
 - 760 mm (30 in)
 - Extreme Service Shoes (SystemOne)
 - 610 mm (24 in)
 - 610 mm (24 in) Clipped
 - 760 mm (30 in)
 - 760 mm (30 in) Center Hole
 - Extreme Service Shoes (Heavy Duty)
 - 610 mm (24 in)
 - 760 mm (30 in)
 - 760 mm (30 in) Trapezoidal
- Track Pairs (LGP Non-VPAT Roller Frame, 45 Section)
 - Moderate Service Shoes (SystemOne)
 - 910 mm (36 in)
 - Moderate Service Shoes (Heavy Duty)
 - 910 mm (36 in)
 - Extreme Service Shoes (SystemOne)
 - 910 mm (36 in)
 - 760 mm (30 in) Center Hole
 - 910 mm (36 in) Center Hole
 - Extreme Service Shoes (Heavy Duty)
 - 760 mm (30 in)
 - 760 mm (30 in) Trapezoidal
 - 910 mm (36 in) Trapezoidal
 - Self Cleaning Track (Heavy Duty)
 - 990 mm (39 in)
- Track Pairs (XL VPAT Roller Frame, 41 Section)
 - Moderate Service Shoes (SystemOne)
 - 560 mm (22 in)
 - Moderate Service Shoes (Heavy Duty)
 - 560 mm (22 in)
 - Extreme Service Shoes (SystemOne)
 - 560 mm (22 in)
 - 560 mm (22 in) Center Hole
 - 610 mm (24 in) Offset
 - 610 mm (24 in) Offset, Clipped
 - Extreme Service Shoes (Heavy Duty)
 - 560 mm (22 in)

- Track Pairs (XW VPAT Roller Frame, 41 Section)
 - Moderate Service Shoes (SystemOne)
 - 610 mm (24 in)
 - 710 mm (28 in)
 - 710 mm (28 in) Clipped
 - Moderate Service Shoes (Heavy Duty)
 - 610 mm (24 in)
 - 710 mm (28 in)
 - 710 mm (28 in) Trapezoidal
 - Extreme Service Shoes (SystemOne)
 - 610 mm (24 in)
 - 610 mm (24 in) Clipped
 - 710 mm (28 in)
 - 610 mm (24 in) Center Hole
 - Extreme Service Shoes (Heavy Duty)
 - 610 mm (24 in)
 - 710 mm (28 in)
- Track Pairs (LGP VPAT Roller Frame, 45 Section)
 - Offset Moderate Service Shoes (SystemOne)
 - 790 mm (31 in)
 - Offset Moderate Service Shoes (Heavy Duty)
 - 790 mm (31 in)
 - Offset Extreme Service Shoes (SystemOne)
 - 790 mm (31 in)

HYDRAULICS

- Control arrangement – ripper
- Control arrangement – winch
- Control arrangement – ripper/winch

STARTERS, BATTERIES AND ALTERNATORS

- Alternator, 150 amp
- Alternator, 150 amp, ducted
- Heater, engine coolant, 120V

Optional Equipment

Optional equipment may vary. Consult your Cat dealer for details.

ELECTRICAL

- Lights 6, basic
- Lights 10, premium

OPERATOR ENVIRONMENT

- Camera, rear vision
- Glass, dual pane and precleaner
- Standard Plus seat
 - Cloth, heated cushions, air suspension
- Premium seat
 - Cloth with leather bolsters
 - Heated and ventilated cushions
 - Air suspension

TECHNOLOGY PRODUCTS

- AccuGrade Ready
- Cat Grade Control 3D
- Product Link Cellular
- Product Link Satellite

GUARDS

- Guard, rear tractor
- Guard, final drive, clamshell
- Guard, final drive seals
- Guard, idler seals
- Heavy duty guard package
- Hitch, front
- Screen, rear cab
- Sweeps package
- Towing device, pull-hook

TRACK GUIDING GUARD ARRANGEMENTS (SystemOne)

- Guide, track, moderate service
- Guide/guard, track, full length

OTHER ATTACHMENTS

- Counterweights and drawbars
- Counterweight, rear
- Counterweight, rear slab
- Counterweight, additional
- Drawbar, rigid short
- Drawbar, rigid long

WINCH ARRANGEMENTS

- PA56 winch package, standard speed
- PA56 winch package, slow speed
- Fairlead, 3 rollers
- Fourth roller

BLADES

- VPAT XL, Bulldozer
- VPAT XW, Bulldozer
- VPAT LGP, Bulldozer
- 6SU XL
- 6SU XL, Landfill
- 6SU XW
- 6SU XW, Landfill
- 6A XL
- 6A XW
- 6A LGP
- 6S LGP
- 6S LGP, Landfill

GROUND ENGAGING TOOLS

- Ripper, multi-shank
- Tooth, multi-shank ripper
- Tooth, straight, 1 shank
- Teeth, straight, set of 2
- Teeth, straight, set of 3

MISCELLANEOUS

- Seal group

SPECIAL ARRANGEMENTS

- Forestry Arrangement
- Waste Handling Arrangement
- Waste Handling Arrangement VPAT

For more complete information on Cat products, dealer services, and industry solutions, visit us on the web at www.cat.com

© 2015 Caterpillar
All rights reserved

Materials and specifications are subject to change without notice. Featured machines in photos may include additional equipment. See your Cat dealer for available options.

CAT, CATERPILLAR, SAFETY.CAT.COM, their respective logos, "Caterpillar Yellow" and the "Power Edge" trade dress, as well as corporate and product identity used herein, are trademarks of Caterpillar and may not be used without permission.

VisionLink is a trademark of Trimble Navigation Limited, registered in the United States and in other countries.

AEHQ7241-01 (07-2015)
Replaces AEHQ7241
(North America)

